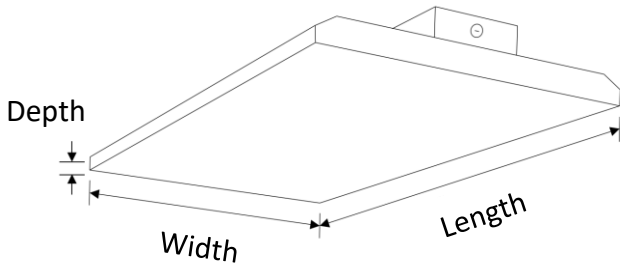


LED CONDOR HIGH BAY



DIMENSION

Wattage	Length	Width	Depth
90	23.8"	12.6"	3.62"
162	23.8"	17.3"	3.62"
223	45.9"	12.6"	3.62"
275, 321	45.9"	17.3"	3.62"



PRODUCT DESCRIPTION

Condor High Bay LED lighting fixtures combine high-performance LEDs, and drivers. The HBLED is the lighting solution for a wide variety of applications and mounting heights. Precision designed optics, multiple distributions, and a choice of lumen outputs and color temperatures make the energy-efficient LED Condor the ideal solution for industrial, commercial and other high bay applications.

FEATURES

- Wattage available: 90W, 162W, 223W, 275W and 321W
- CCT options: 5,000K (4,000K and 5,700K special order)
- CRI: >80
- Efficacy: 131-134LPW
- THD: 0.9
- Lifespan: minimum 50,000 hours
- Manufacturer warranty: 7 Years
- Driver: 0-10V dimmable LED power supplies, current can be adjusted
- The external driver ensures steady performance and long lifetime
- Driver efficiency >85%.
- Temperature limited: Type TL LED driver
- Dimming type is continuous, dimmable to 10%
- Suitable for damp location
- Ambient operating range: -4°F to 120°F
- Rated life: more than 10w hours per L70 TM-21 at 160°F

ACCESSORIES

- High Bay motion sensor
- High voltage transformers 480v or 347v
- Emergency battery back-up
- Lens options: frosted and clear
- Multiple mounting options
- Surge protector

LED CONDOR HIGH BAY LIGHTS		
Series	Power and Length	CCT Temperature
HBLED-	90W- =2ft 140W- =2ft 162W- =2ft 223W- =4ft 275W- =4ft 321W- =4ft	5,000K

Performance and Certification Information (120v, >80 CRI)

Series	DLC ID	DLC Casting Watts	DLC Rated Lm	UL and DLC
HBLED90W/5000KFL	P9UGBH5T	90w	11,790	UL, DLC
HBLED140W/5000KFL	P7DXMVAU	140w	18,340	UL, DLC
HBLED162W/5000KFL	PB75D4ZZ	162w	21,222	UL, DLC
HBLED223W/5000KFL	PWHB2HCG	223w	29,213	UL, DLC
HBLED275W/5000KFL	PPHNBZNG	275w	36,300	UL, DLC
HBLED321W/5000KFL	PB3FHNBD	321w	42,051	UL, DLC

PHOTOMETRY

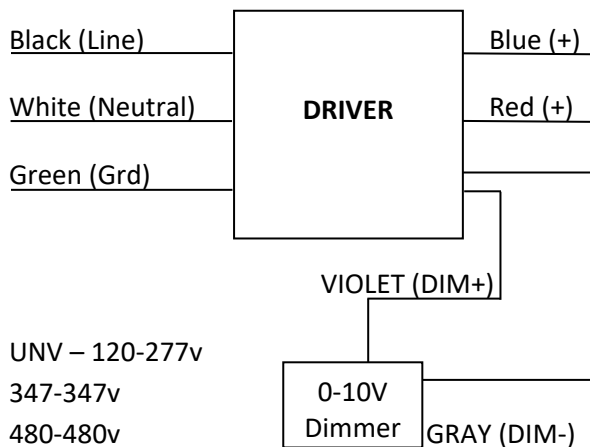


ZONAL LUMEN SUMMARY		
Zone	Lumens	Luminaire
0-30	3,812.1	28.9%
0-40	6,292.8	47.7%
0-60	11,119.0	84.3%
60-90	2,058.4	15.6%
70-100	611.0	4.6%
90-120	8.0	0.1%
0-90	13,177.4	99.8%
90-180	20.1	0.2%
0-180	13,195.5	100%

ILLUMINANCE AT A DISTANCE			
	Center Beam LUX	Beam Width	
8.3M	69.75 LUX	24.8M	25.3M
16.7M	17.44 LUX	49.7M	50.5M
25.0M	7.75 LUX	74.5M	75.8M
33.3M	4.36 LUX	99.3M	101.0M
41.7M	2.79 LUX	124.2M	126.3M
50.M	1.94 LUX	149.0M	151.5M

■ Vert. Speed: 112.3° ■ Horiz. Speed 113.1°

WIRING DIAGRAM



MOUNTING OPTIONS

