



PROJECT NAME: _____ CATALOG NUMBER: _____

NOTES: _____ FIXTURE SCHEDULE: _____



PRODUCT DISCRIPTION

Condor High Bay LED lighting fixtures combine high-performance LEDs, and drivers. The HBLED is the lighting solution for a wide variety of applications and mounting heights. Precision-designed optics, multiple distributions, and a choice of lumen outputs and color temperatures make the energy-efficient LED Condor the ideal solution for industrial, commercial and other high bay applications.

DIMENSION

Condor #	Length	Width	Depth
HBLED95	23.8"	12.6"	3.62"
HBLED140	23.8"	17.3"	3.62"
HBLED165	23.8"	17.3"	3.62"
HBLED225	45.9"	12.6"	3.62"
HBLED275	45.9"	17.3"	3.62"

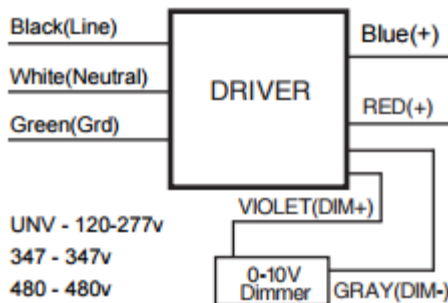
Additional Accessories

- High bay Motion Sensor
- High Voltage Transformers 480v or 347v
- Emergency Battery Back-up
- Frosted Lens
- Clear Lens
- Wire Guard Option
- Pendant Mount Option
- Surge Protector
- 0-10v Dimming

FEATURES

- Efficacy:>131-134LPW
- Chip: LGIT 5630
- CRI: Ra>80
- CCT Options:4000K 5000K 5700K
- THD:<20%
- PF:>0.9
- Standard Warranty: **5 Years**
- LED HIGH BAY
- Driver: 0-10V Dimmable LED power supplies, Current can be adjusted
- The external driver ensures steady performance and long lifetime
- Driver efficiency>85%.
- Temperature Limited: Type TL LED driver
- Standard Lifetime: Designed minimum 50,000 hours
- Mounting: Surface Mounting, Pendant Mounting and Suspending Mounting
- The Dimming type is continuous, dimmable to 10%
- Suitable for Damp Location
- Ambient Operating Range: -20°C to 50°C
- Rated Life: More than 10w hours per L70 TM-21 @ 70 °C

Wiring Diagram



Warehouse-Lighting.com
2805 South 160th St
New Berlin, WI 53151

Toll Free 888.454.4480
Fax 414.525.9028
Info@Warehouse-Lighting.com



Condor High Bay Lights

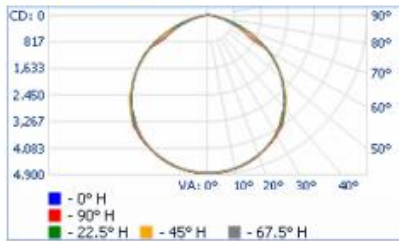
Model #	Wattage	Kelvin	Accessories
HBLED	95W-2ft 140W-2ft 165W-2ft 225W-4ft 275W-4ft	5000K 4000K (Special Order) 5700K (Special Order)	M-Motion Sensor EM-Emergency Backup FR-Frosted Lens P-Pendant Mount WG-Wire Guard

Performance and Certification Information (120v, >80 CRI)

Series	Actual Watts	DLC Rating (Pending) Watts	DLC Rated (Pending) Lm	UL and DLC (Pending)
HBLED95W/5000KFL	92.2w	95w	12,445	UL, DLC
HBLED140W/5000KFL	137.7w	140w	18,340	UL, DLC
HBLED165W/5000KFL	159.3w	165w	22,110	UL, DLC
HBLED225W/5000KFL	216.5w	225w	30,150	UL, DLC
HBLED275W/5000KFL	271w	275w	36,300	UL, DLC

PHOTOMETRY Condor # HBLED110W/5000KCL

Flood Summary



Zonal Lumen Summary

Zone	Lumens	% Luminaire
0-30	3,812.1	28.9%
0-40	6,292.8	47.7%
0-60	11,119.0	84.3%
60-90	2,058.4	15.6%
70-100	611.0	4.6%
90-120	8.0	0.1%
0-90	13,177.4	99.8%
90-180	20.1	0.2%
0-180	13,197.5	100%

Installation Instruction



A: Pendant Hanger



D: Chain Kit



B: Cable Kit



E: Surface Mounting



C: Wire Guards